

多功能阀系列

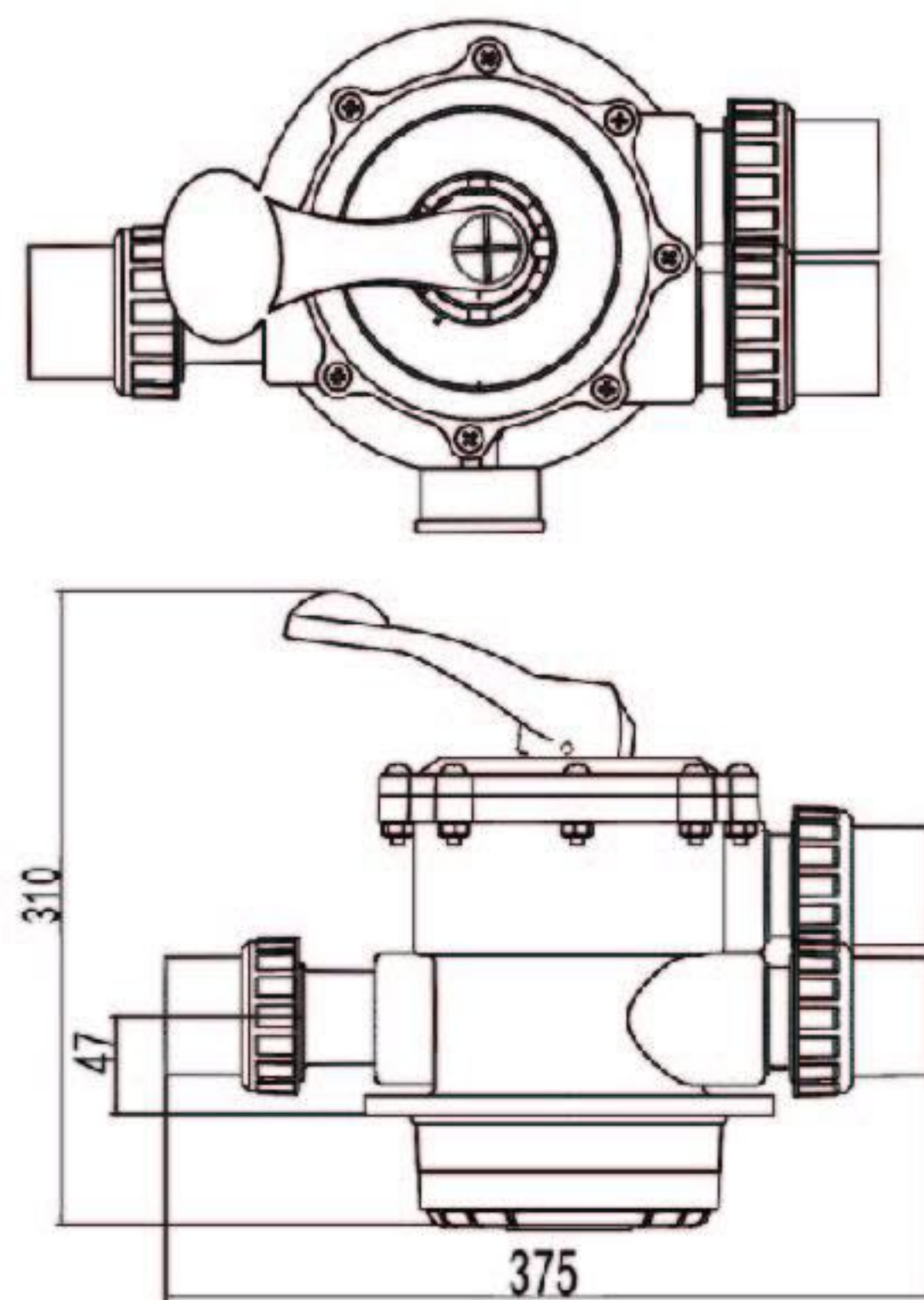
特点 Features

1. FILTER: 过滤
2. BACKWASH: 排出过滤器内积藏得污物
3. RINSE: 反冲洗后排除在污水管内的污物
4. WASTE: 不经过滤器, 直接排水
5. RECIRCULATE: 不经过过滤器循环
6. CLOSED: 将过滤器的功能关闭
7. WINTERIZE: 防寒
8. SERVICE: 维修

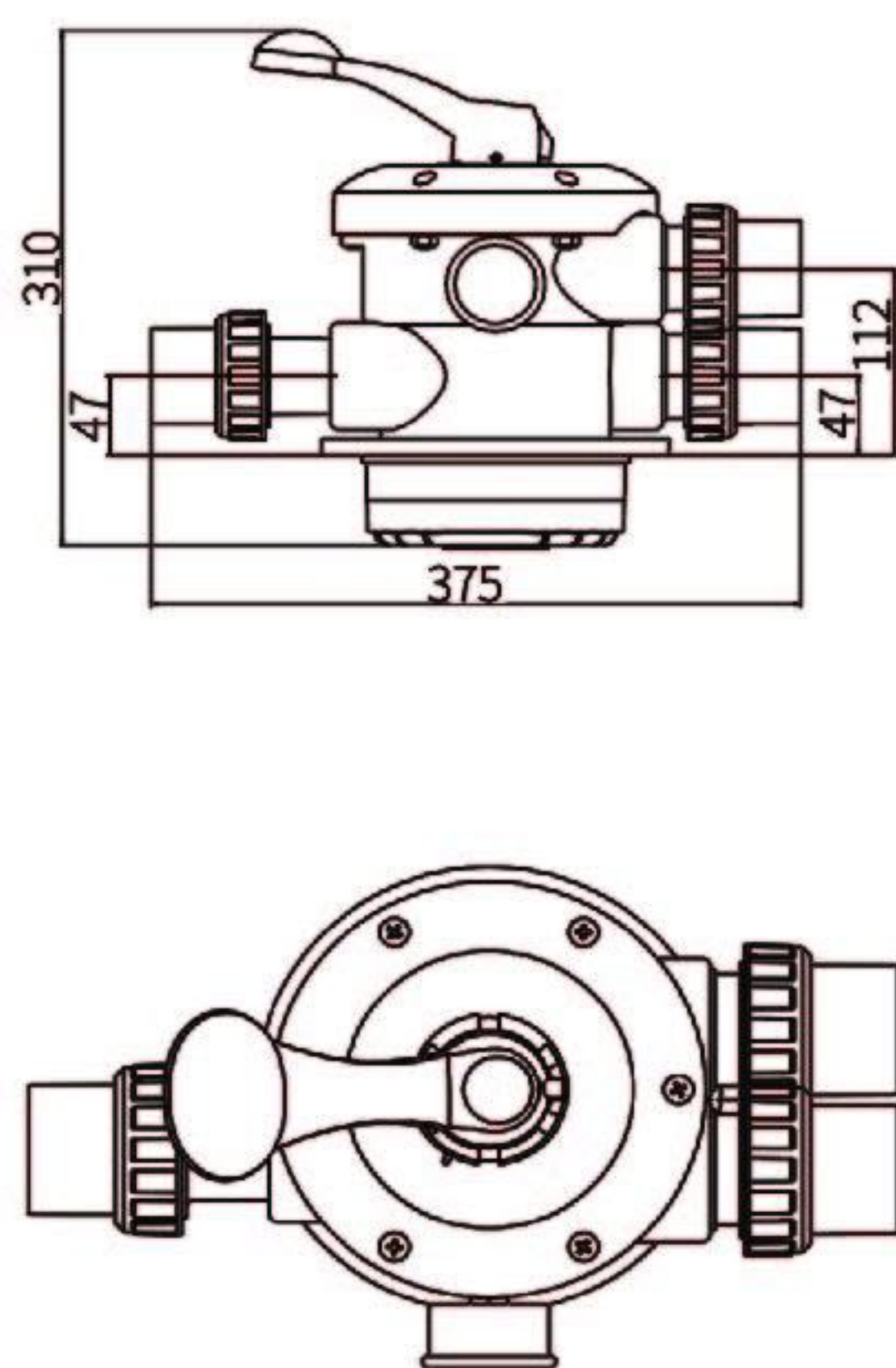
1. FILTER
2. BACKWASH: Cleaning filter by reversing the flow
3. RINSE: Used after backwash to flush dirt from valve
4. WASTE: BY-PASSES filter, used for vacuuming to waste or lowering water level
5. RECIRCULATE: BY-PASSES filter for circulating water to pool
6. CLOSED: Shuts off all flow to filter or pool
7. WINTERIZE: This device is used to prevent freezing(ONLY EIGHT POSTON)
8. SERVICE: The screw on the handle should be replaced when repairing (ONLY EIGHT POSITION)



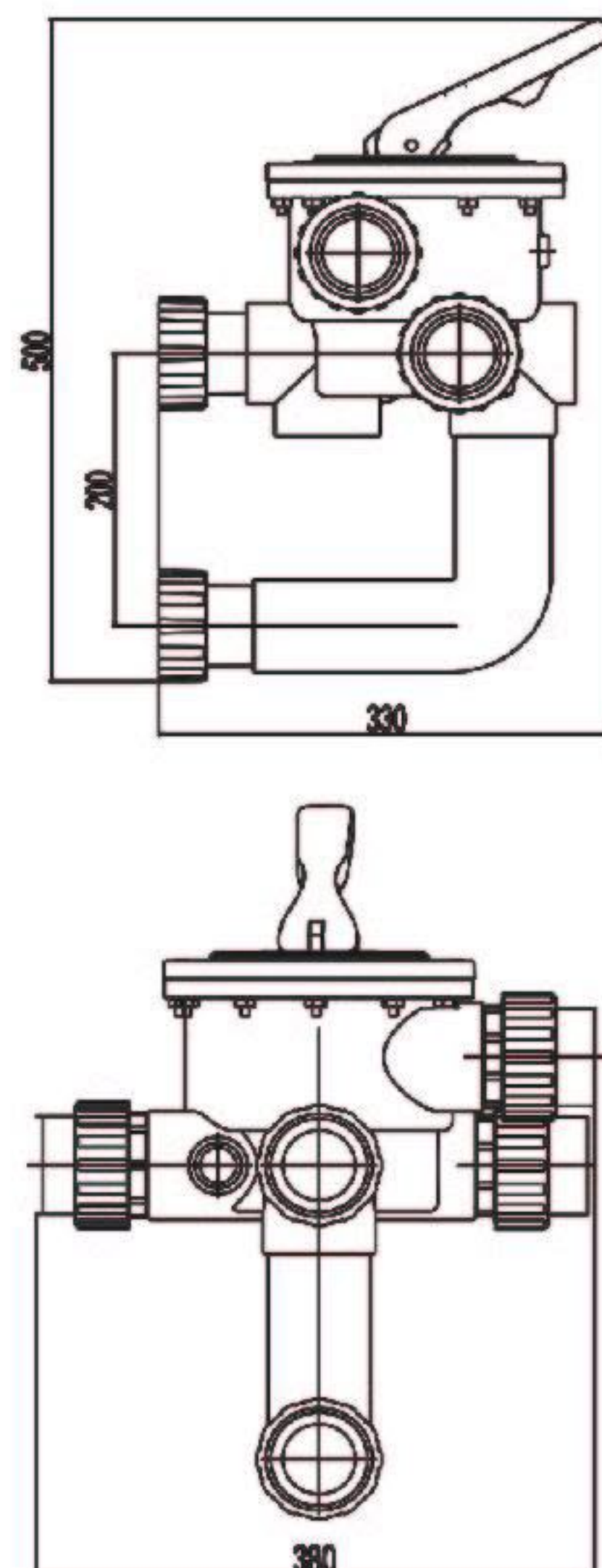
1.5寸顶出多功能阀
1.5" Top-Mounted



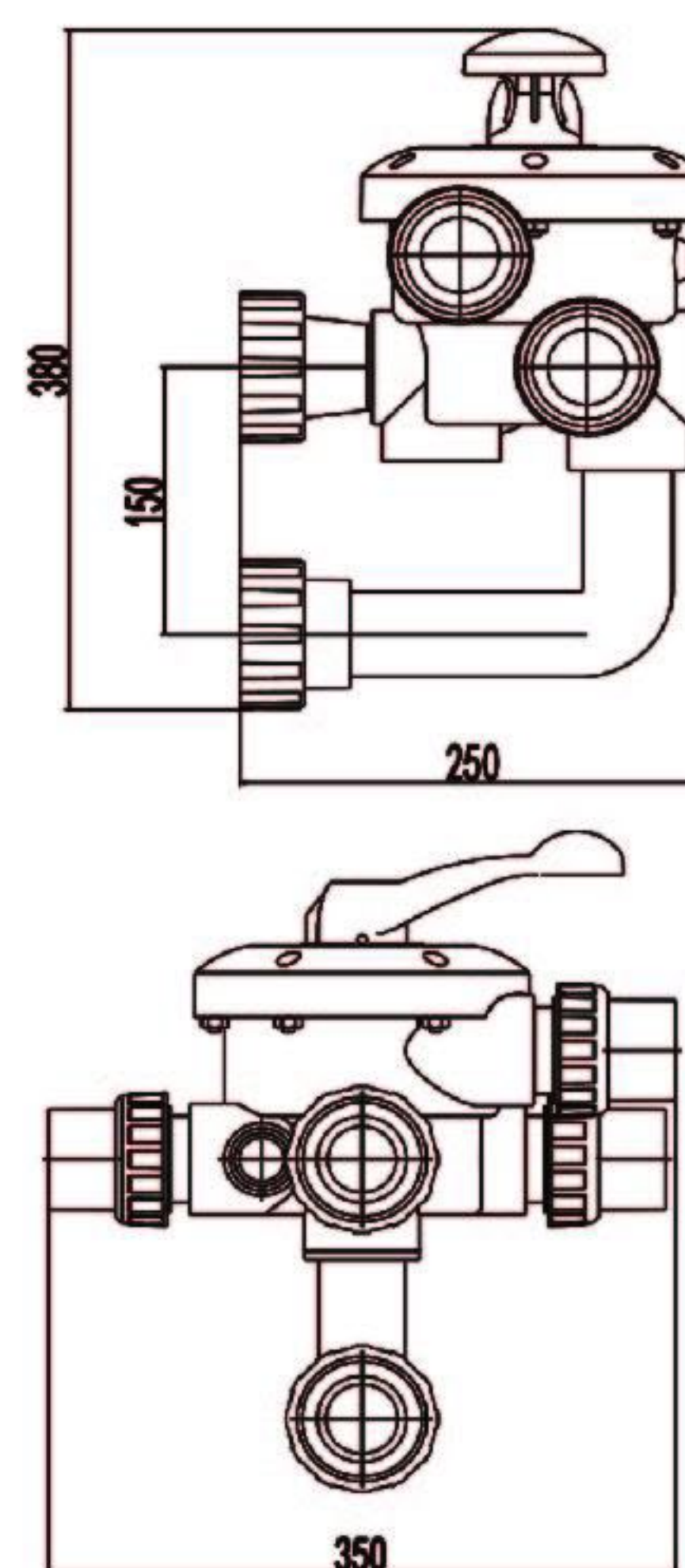
1.5寸顶出多功能阀
1.5" Top-Mounted



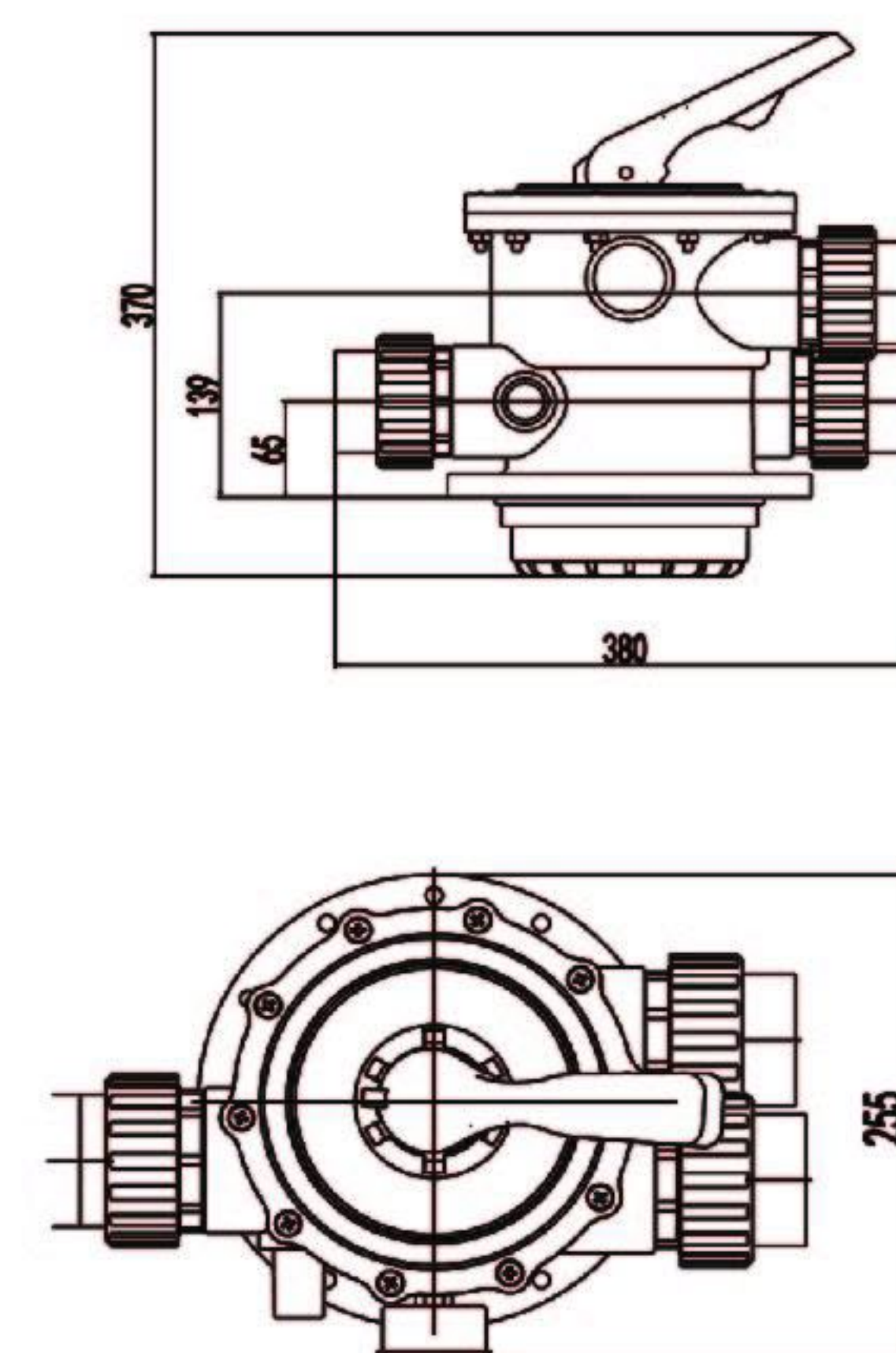
2.0寸侧出多功能阀
2.0" Side-Mounted



1.5寸侧出多功能阀
1.5" Side-Mounted



2.0寸顶出多功能阀
2.0" Top-Mounted



型号 Model	功能选项 Vale Position	管径 Pipe Size(Inch)	颜色 Body Color	安装形式 Mounting Location
1.5" Top-Mounted	8	1.5	White	Top
2.0" Top-Mounted	6	2.0	Black	Top
1.5" Side-Mounted	8	1.5	Black	Side
2.0" Side-Mounted	6	2.0	Black	Side