

DXD-330A

工作条件 Working Conditions

介质温度: 5-50°C

环境温度: ≤50°C

湿度: 65% RH

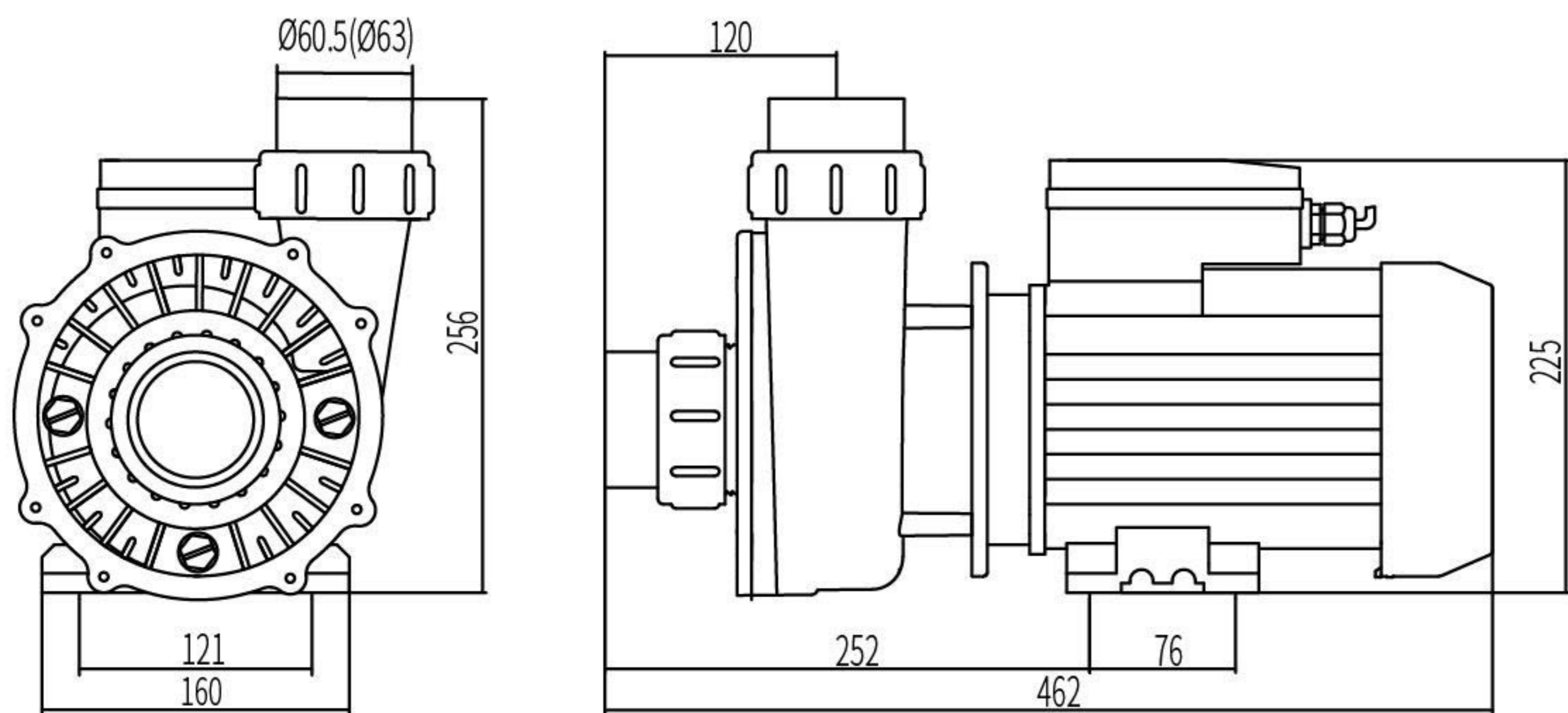
最大工作压力: 0.4Mpa

Medium temperature: 5-50°C

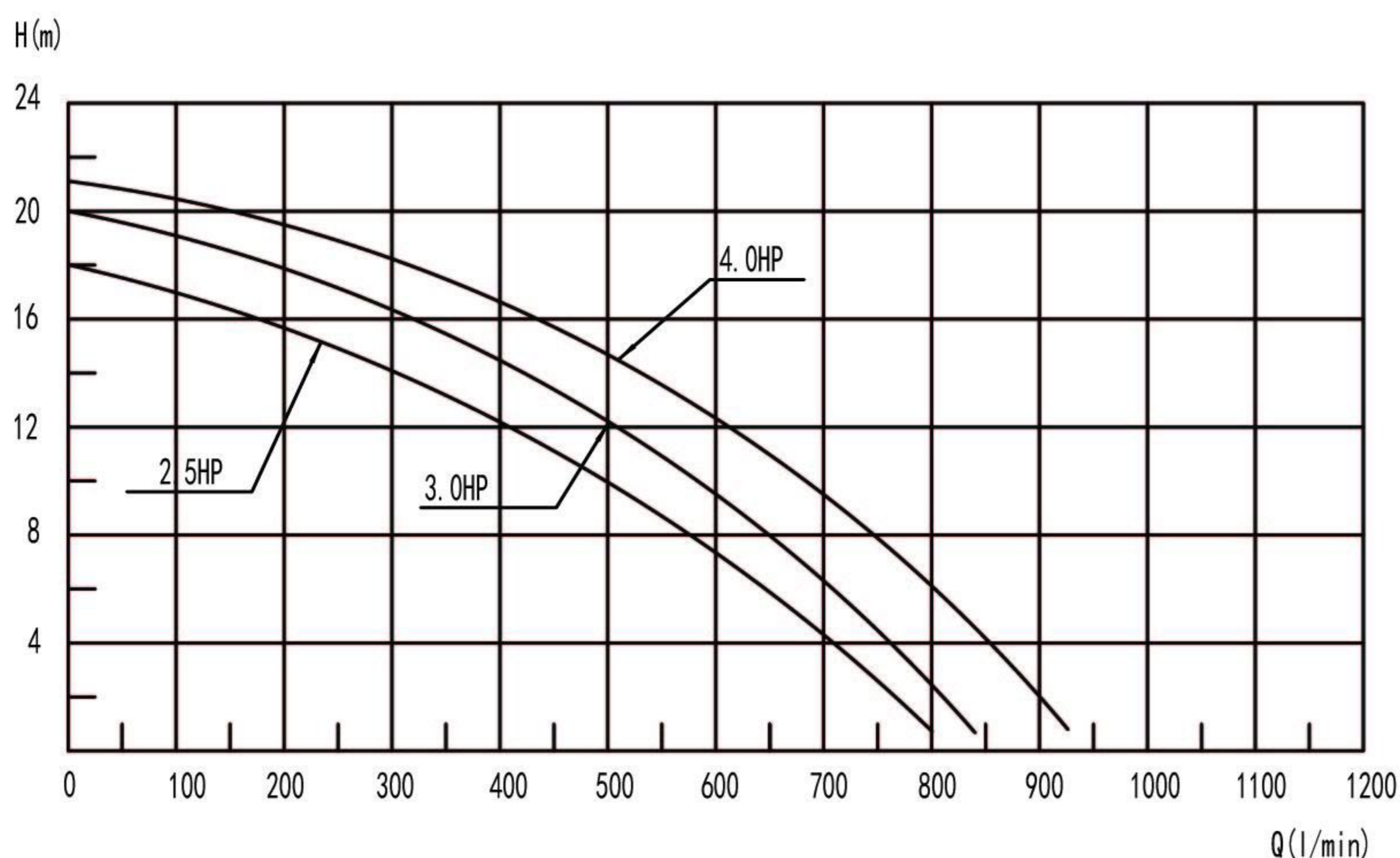
Environmental temperature: ≤50°C

Humidity: 65% RH

Max.working pressure: 0.4Mpa



性能曲线 Performance Curves



UL LISTED E351970

TUV EN 60335-1:2012/A2:2019
EN 60335-2-41:2003/A2:2010
EN 62233:2008

CE EN 60335-1:2012/A2:2019
EN 60335-2-41:2003/A2:2010
EN 62233:2008

SAA AS/NZS 60335.2.41:2013 Inc A1
AS/NZS 60335.1:2011 Inc A1-5

技术参数 Technical Parameter List

| 型号 Model | 电压 Voltage | 功率 Power | | 转速 Rotating Speed (r/min) | 最大扬程 Maximum Lift (m) | 最大流量 Maximum Flow (l/min) | 绝缘等级 Insulation Class | 防护等级 Protection Grade | 毛重 Gross Weight (kg) | 认证 Certification |
|-------------|---------------|-------------|-----|---------------------------------|-----------------------------|---------------------------------|--------------------------|--------------------------|----------------------------|---------------------|
| | | Kw | HP | | | | | | | |
| DXD-330A | 230v/50Hz | 2.1 | 3.0 | 2850 | 20.0 | 833 | F | IP X5 | 20.0 | TUV CE SAA |
| DXD-330C | 230v/60Hz | 2.1 | 3.0 | 3450 | 20.0 | 833 | F | IP X5 | 20.0 | UL LISTED |
| DXD-330D | 115v/60Hz | 2.1 | 3.0 | 3450 | 20.0 | 833 | F | IP X5 | 20.0 | |
| DXD-340A | 230v/50Hz | 2.8 | 4.0 | 2850 | 21.0 | 925 | F | IP X5 | 20.0 | TUV CE |
| DXD-340C | 230v/60Hz | 2.8 | 4.0 | 3450 | 21.0 | 925 | F | IP X5 | 20.0 | |
| DXD-325A | 230v/50Hz | 1.8 | 2.5 | 2850 | 18.0 | 800 | F | IP X5 | 20.0 | TUV CE SAA |

包装 (Packing): 430mm×215mm×250mm

可选配定时功能和无水保护装置 Optional function: Timer&No Water Protection