

## DXD-320YM

## 工作条件 Working Conditions

介质温度: 5-50°C

环境温度: ≤50°C

湿度: 65% RH

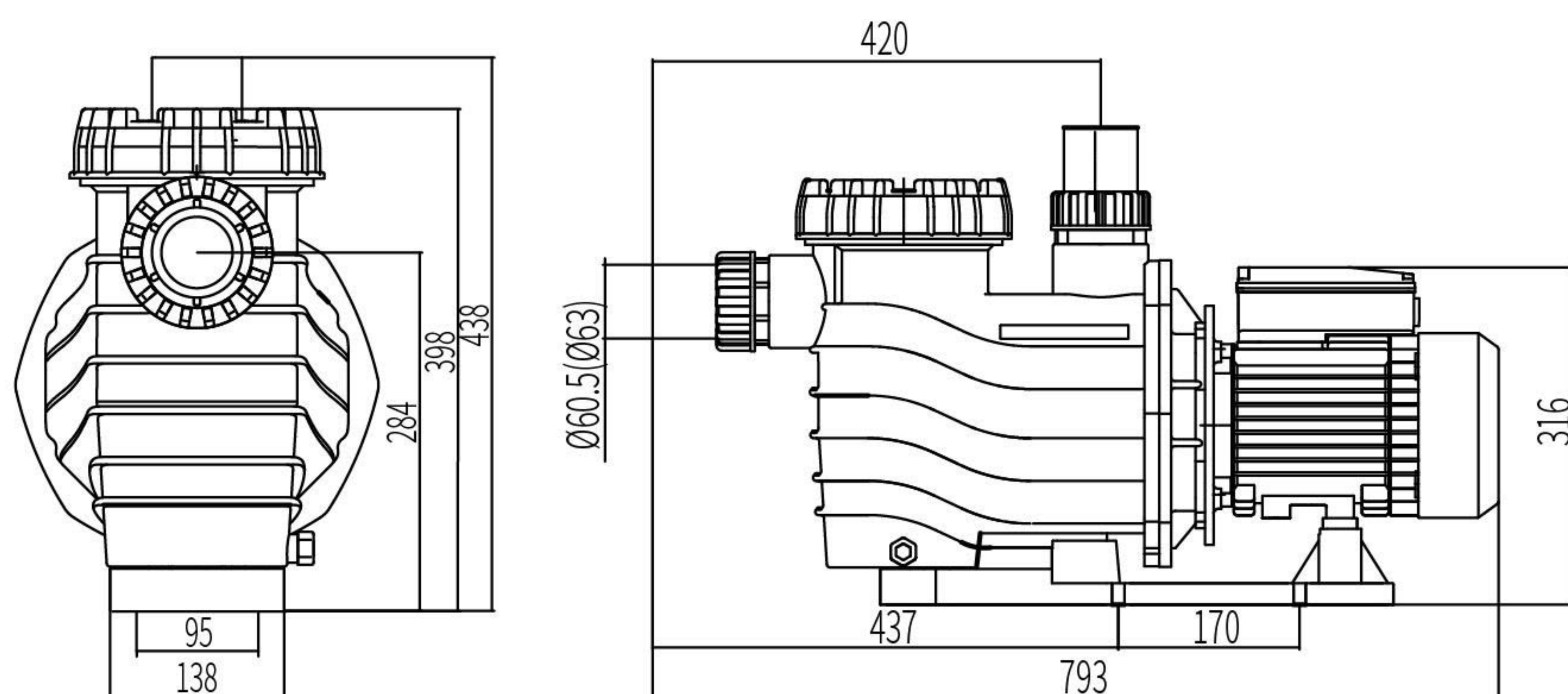
最大工作压力: 0.4Mpa

Medium temperature: 5-50°C

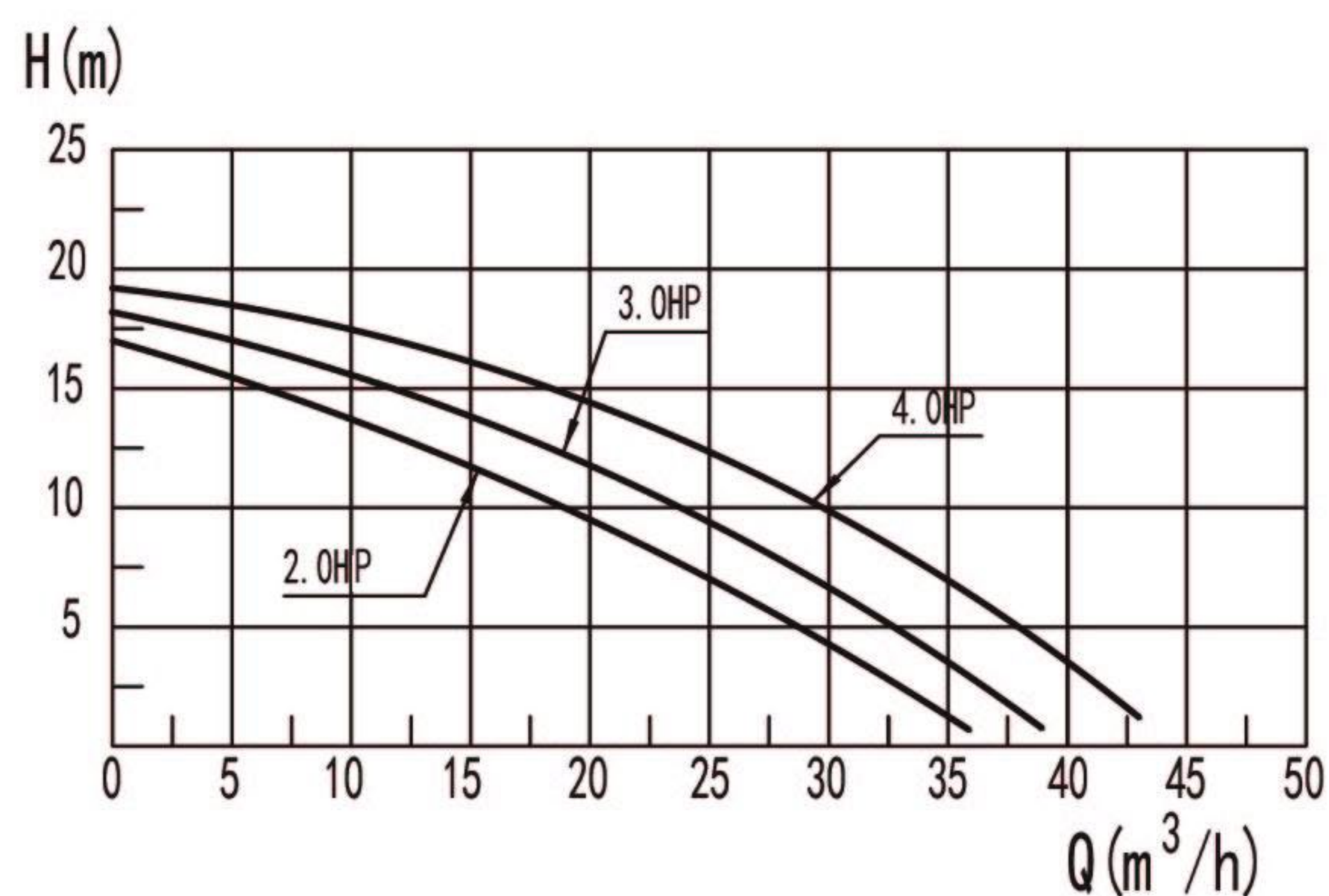
Environmental temperature: ≤50°C

Humidity: 65% RH

Max.working pressure: 0.4Mpa



## 性能曲线 Performance Curves



## 技术参数 Technical Parameter List

型号 Model	电压 Voltage	功率 Power		转速 Rotating Speed (r/min)	最大扬程 Maximum Lift (m)	最大流量 Maximum Flow (m³/h)	绝缘等级 Insulation Class	防护等级 Protection Grade	毛重 Gross Weight (kg)	认证 Certification
		Kw	HP							
DXD-320YM	230v/50Hz	1.5	2.0	2850	17.0	36	F	IP X5	17.0	
DXD-320YM	230v/60Hz	1.5	2.0	3450	17.0	36	F	IP X5	17.0	
DXD-320YM	115v/60Hz	1.5	2.0	3450	17.0	36	F	IP X5	17.0	
DXD-330YM	230v/50Hz	2.1	3.0	2850	18.0	39	F	IP X5	18.0	
DXD-330YM	230v/60Hz	2.1	3.0	3450	18.0	39	F	IP X5	18.0	
DXD-330YM	115v/60Hz	2.1	3.0	3450	18.0	39	F	IP X5	18.0	
DXD-320YM	380v/50Hz	1.5	2.0	2850	17.0	36	F	IP X5	17.0	
DXD-330YM	380v/50Hz	2.1	3.0	2850	18.0	39	F	IP X5	18.0	
DXD-340YM	380v/50Hz	2.8	4.0	2850	19.0	43	F	IP X5	19.0	

包装 (Packing): 750mm X 295mm X 465mm

可选配定时功能和无水保护装置 Optional function: Timer & No Water Protection