

## DXD-320EM

## 工作条件 Working Conditions

介质温度: 5-50°C

环境温度: ≤50°C

湿度: 65% RH

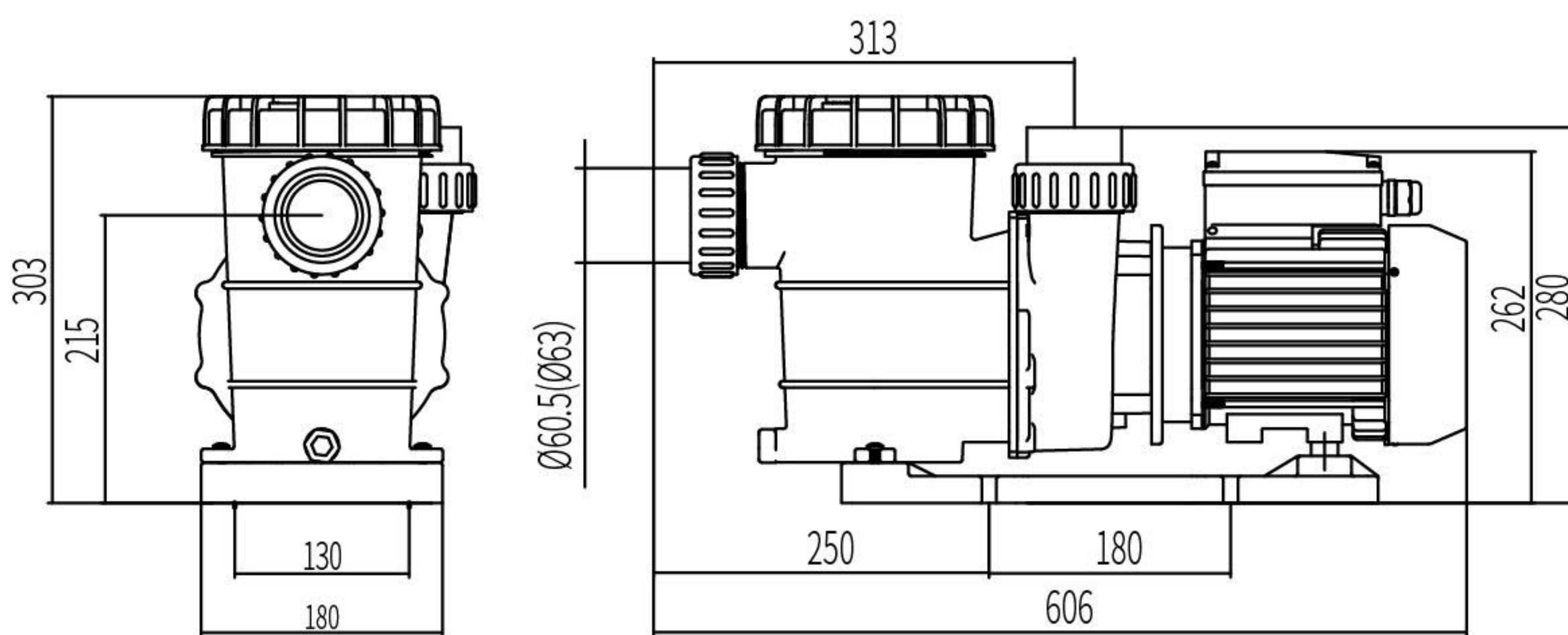
最大工作压力: 0.4Mpa

Medium temperature: 5-50°C

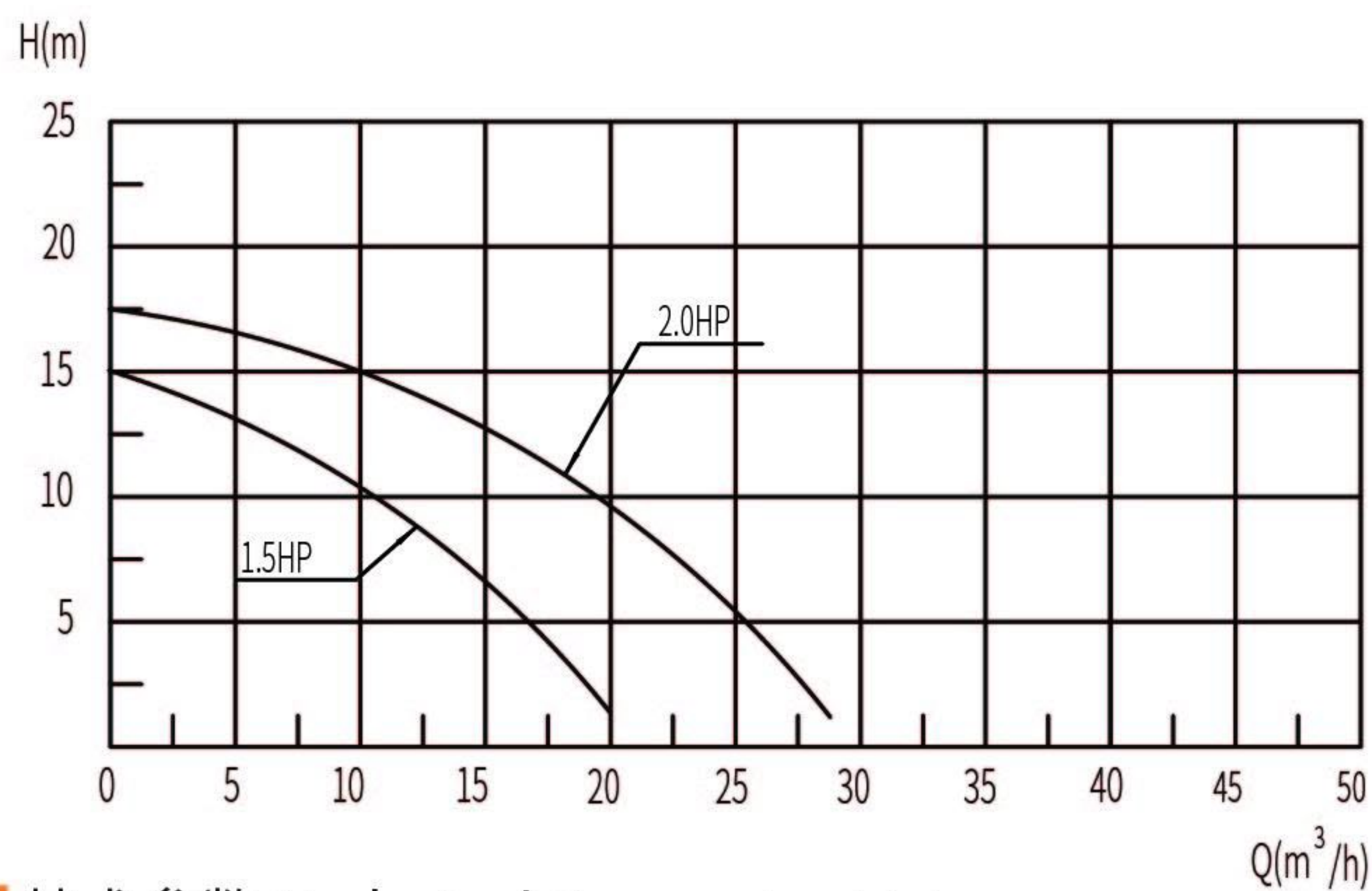
Environmental temperature: ≤50°C

Humidity: 65% RH

Max.working pressure: 0.4Mpa



## 性能曲线 Performance Curves



IEC 60335-1:2010  
IEC 60335-1:2010/AMD1:2013  
IEC 60335-1:2010/AMD2:2016  
IEC 60335-2-41:2012



AS/NZS 60335.2.41:2013 Inc A1  
AS/NZS 60335.1:2011 Inc A1-5



EN 60335-1:2012/A2:2019  
EN 60335-2-41:2003/A2:2010  
EN 62233:2008



EN 60335-1:2012/A2:2019  
EN 60335-2-41:2003/A2:2010  
EN 62233:2008

## 技术参数 Technical Parameter List

| 型号<br>Model | 电压<br>Voltage | 功率<br>Power |     | 转速<br>Rotating Speed<br>(r/min) | 最大扬程<br>Maximum Lift<br>(m) | 最大流量<br>Maximum Flow<br>(m³/h) | 绝缘等级<br>Insulation Class | 防护等级<br>Protection Grade | 毛重<br>Gross Weight<br>(kg) | 认证<br>Certification |
|-------------|---------------|-------------|-----|---------------------------------|-----------------------------|--------------------------------|--------------------------|--------------------------|----------------------------|---------------------|
|             |               | Kw          | HP  |                                 |                             |                                |                          |                          |                            |                     |
| DXD-320EM   | 230v/50Hz     | 1.1         | 1.5 | 2850                            | 15.0                        | 20                             | F                        | IP X5                    | 12.0                       |                     |
| DXD-320EM   | 230v/60Hz     | 1.1         | 1.5 | 3450                            | 15.0                        | 20                             | F                        | IP X5                    | 12.0                       |                     |
| DXD-320EM   | 115v/60Hz     | 1.1         | 1.5 | 3450                            | 15.0                        | 20                             | F                        | IP X5                    | 12.0                       |                     |
| DXD-320EM   | 230v/50Hz     | 1.5         | 2.0 | 2850                            | 17.0                        | 28                             | F                        | IP X5                    | 15.0                       | IECEE SAA TUV CE    |
| DXD-320EM   | 230v/60Hz     | 1.5         | 2.0 | 3450                            | 17.0                        | 28                             | F                        | IP X5                    | 15.0                       |                     |
| DXD-320EM   | 115v/60Hz     | 1.5         | 2.0 | 3450                            | 17.0                        | 28                             | F                        | IP X5                    | 15.0                       |                     |

包装 (Packing): 610mm × 260mm × 385mm

可选配定时功能和无水保护装置 Optional function: Timer & No Water Protection