

CB-T150

工作条件 Working Conditions

介质温度: 5-60°C

环境温度: ≤50°C

湿度: 65% RH

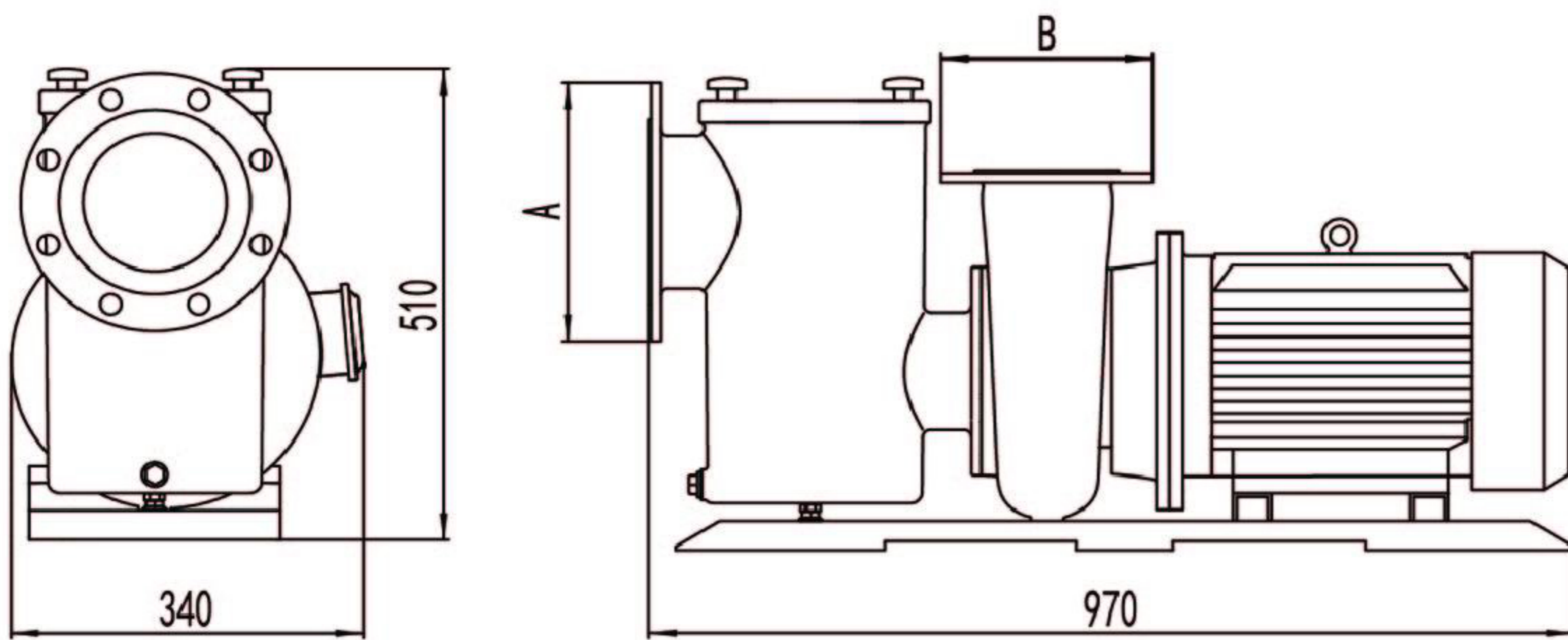
最大工作压力: 0.6Mpa

Medium temperature: 5-60°C

Environmental temperature: ≤50°C

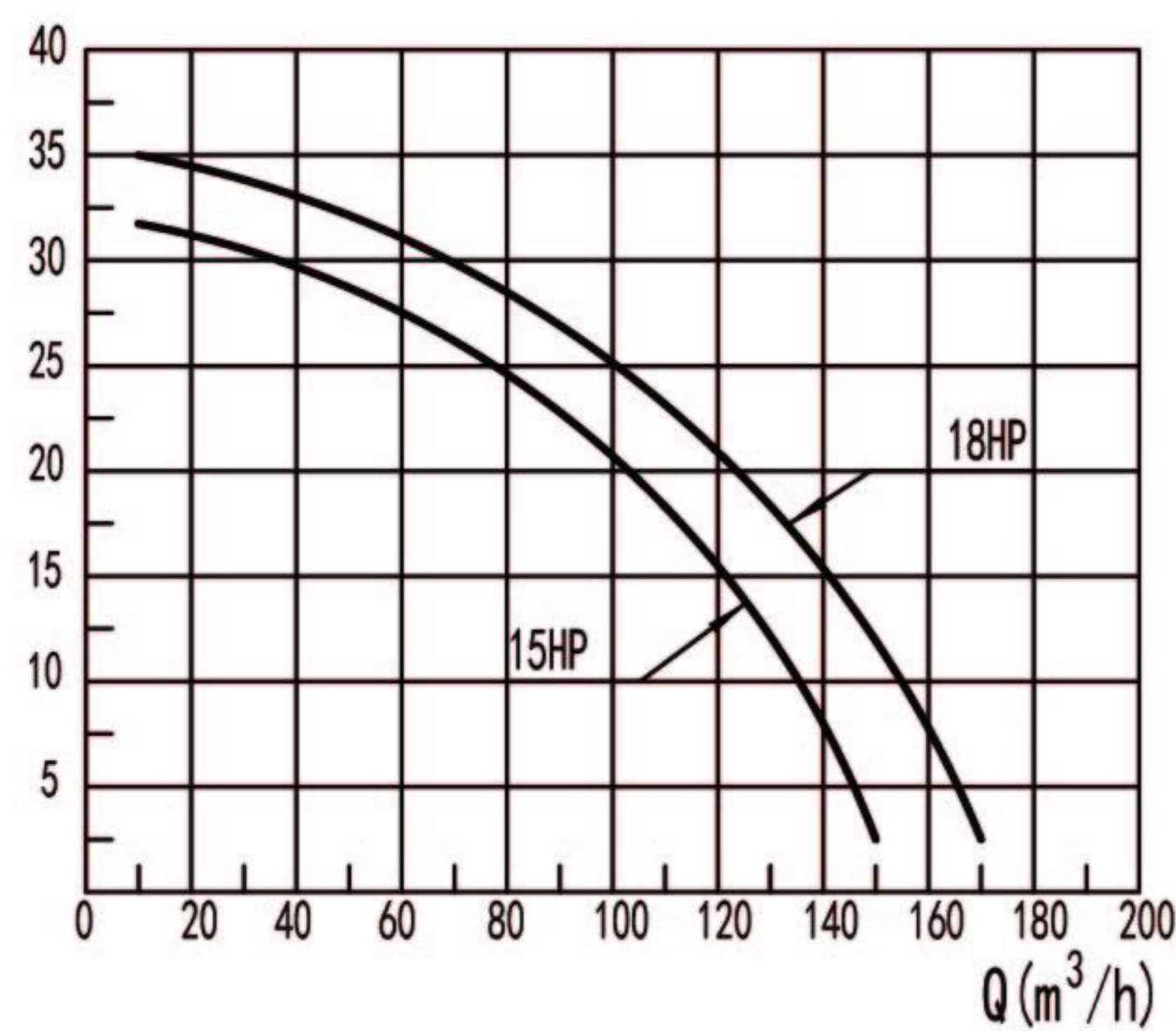
Humidity: 65% RH

Max.working pressure: 0.6Mpa



性能曲线 Performance Curves

H(m)



特点 Features

泵体采用铜铸材料,强度高、耐磨损、耐腐蚀,坚固得一体式结构,经久耐用;在淡水和海水中均具有抗腐蚀性,配有专用毛发收集器,过滤效果好,安装、使用方便;流量大,扬程高,加快注水速度并且提高能源效率;适用于各种中大型游泳池、水疗池、水上乐园、花园水池等水循环及过滤设备。

Brass pumps are mould with cast copper, with the solid all-in-one structure, it is very durable and reliable.

It resists corrosion in fresh water and salt water. Equipped with a special hair collector, it has a good effect of the filtration to ensure the convenient installation and usage for the customers.

Characterized by high flow and back pressure, it accelerates water injection rate and improves energy efficiency.

Applicable to water circulation and filtration equipments, such as swimming pool, spa pool, water park, garden pool, etc.

技术参数 Technical Parameter List

型号 Model	电压 Voltage	功率 Power		转速 Rotating Speed (r/min)	最大扬程 Maximum Lift (m)	最大流量 Maximum Flow (m³/h)	进水口 Inlet A (mm)	出水口 Outlet B (mm)	绝缘等级 Insulation Class	毛重 Gross Weight (kg)
		Kw	HP							
CB-T150	380V/50Hz	11.0	15.0	2850	32	150	200	125	F	160
CB-T180	380V/50Hz	13.0	18.0	2850	35	170	200	125	F	163

包装 (Packing): 1020mm × 400mm × 630mm