

## CB-IT400

缸体为玻璃纤维增强塑料缠绕成型而成，耐磨损、耐腐蚀、不易变形。

设计独特的布水器能均匀的稳定水流，暗渠排水系统效率高。易于安装，维修、保养方便。出水浊度小于2度。

Tank : voluble molding of fiber glass reinforced plastics , corrosion resistant , good abrasion resistance , deforming-proof . Uniquely destribution make a stable and even water flow to improve drainage system . Easy to install , maintain free . Outlet turbidity : < 2FTU .



### 特点 Features

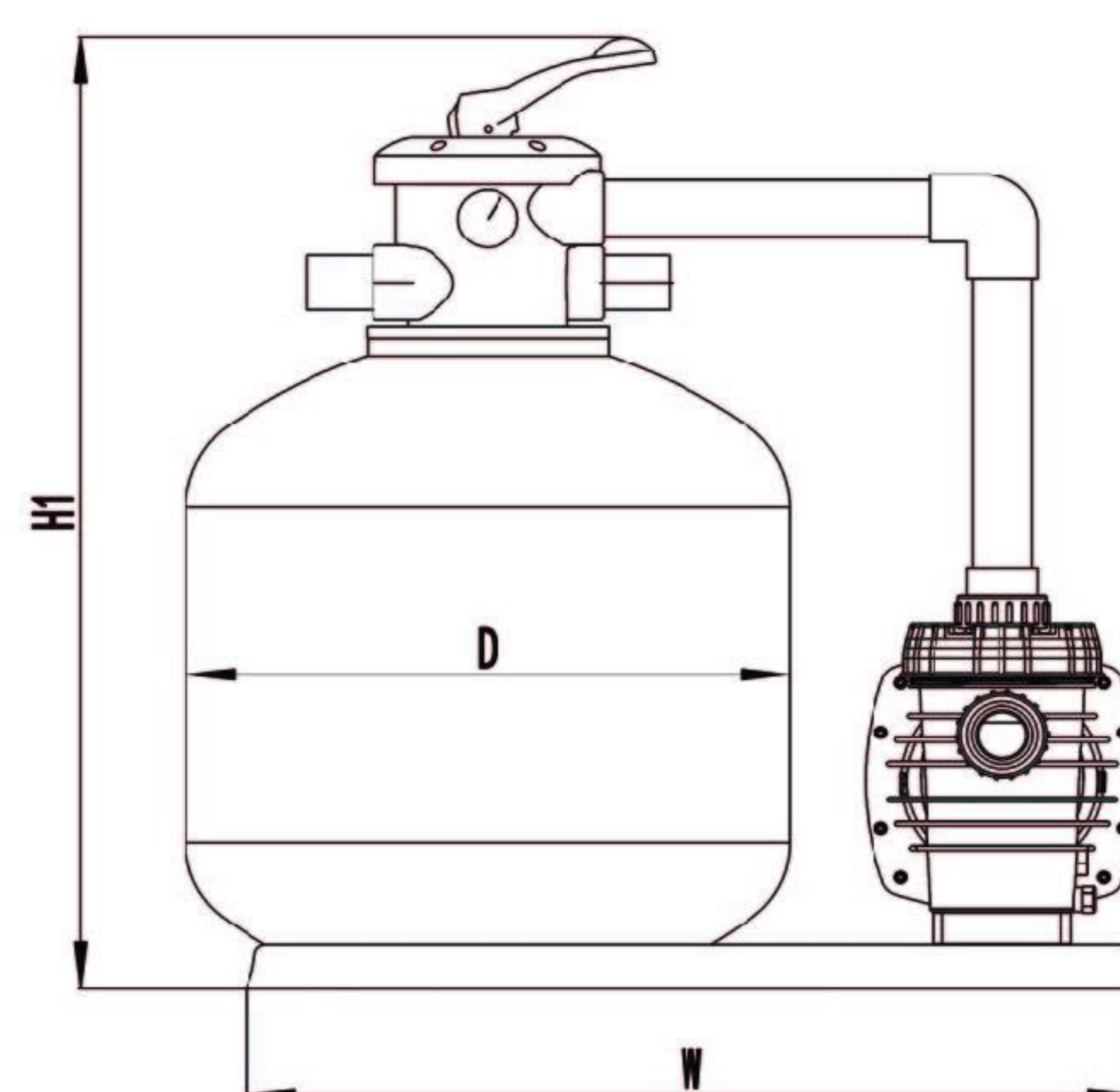
一体化过滤系统，配备顶出砂缸及循环过滤泵，使用简单，安装方便。

- 1.易于快速装配的组件设计，使用户的安装操作更简捷。
- 2.过滤器与水泵精确配合，使机组的各项性能最优，机组效率更高。
- 3.坚固耐用的模块化底盘使机组运行能够更稳定可靠。
- 4.内胆外缠绕玻璃纤维，缸身更坚固，质量更稳定，表面防晒处理，可以确保不受恶劣气候的影响，能够让过滤器稳定运行多年。
- 5.循环水泵密封性能好，防腐性能佳，运行时极其安静。
- 6.整套机组包括软管等必要的配件。

The integrative filtration systems are equipped with top-mounted filter and centrifugal pump,easy to use and intall.

Features:

- 1.The components are designed to assemble them quickly,making it easier for the customers to install.
- 2.Both the filters and pumps fit accurately,making the performance of the whole system to be best,efficiency will be higher.
- 3.The strong and durable modular base can make the whole system operate more reliable.
- 4.The tank is wrapped with fiberglass,to make the tank stronger,the uality is more stable,the surface with UV protective layer can make sure that it is not affected by the harsh weather and can keep the filter running for many years.
- 5.The centrifugal pump has good performance of sealing and anti-corr-osion,it sounds quietly when operating.
- 6.The whole system includes the pipes and other necessary fittings.



型号 Model	安装尺寸 (mm)		
	D	H1	W
CB-IT400	400	680	650
CB-IT450	450	685	650
CB-IT500	500	865	710
CB-IT550	550	870	710
CB-IT600	600	885	810
CB-IT650	650	930	810

### 技术参数 Technical Parameter List

型号 Model	砂缸直径 Tank Diameter		砂缸总高 Tank height		设计流量 flow		过滤面积 filter area		出入水口径 connections		所需砂量 required	包装尺寸 package	电机马力 Motor Power	
	mm	inches	mm	inches	m <sup>3</sup> /h	GPM	m <sup>2</sup>	sq.ft	mm	inches			kg	mm
CB-IT400	400	15.7	680	26.8	8	35	0.13	1.3	50	1.5"	35	700*650*750	0.75	0.5
CB-IT450	450	17.7	740	29.1	10	44	0.16	1.6	50	1.5"	50	700*650*750	0.75	0.5
CB-IT500	500	19.7	820	32.3	11	48	0.18	1.8	50	1.5"	58	760*650*930	1.0	0.75
CB-IT550	550	21.7	880	34.6	13	57	0.20	2.0	50	1.5"	87	760*650*930	1.2	0.9
CB-IT600	600	23.6	885	34.8	14	62	0.22	2.2	50	1.5"	115	760*650*930	1.5	1.0
CB-IT650	650	25.6	950	37.4	17	75	0.32	3.1	50	1.5"	145	920*680*1000	1.5	1.0