

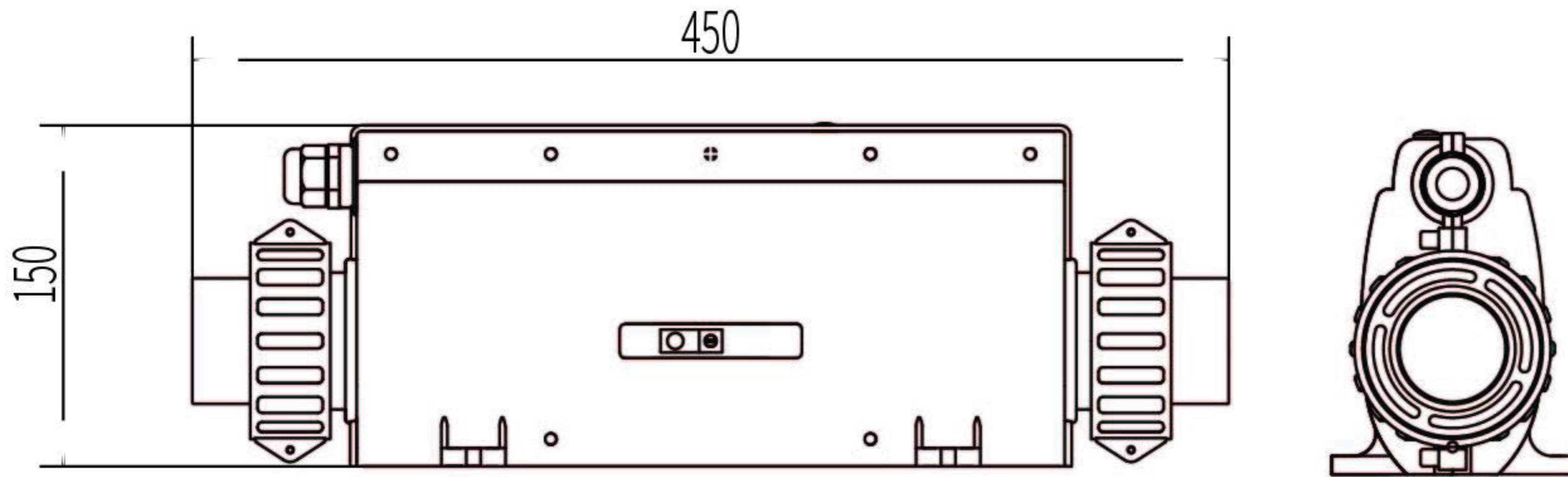
# SDP-1500L



EN 60335-1;2012/A13:2019  
EN60335-2-35:2016



E357370



# SDP-3000C



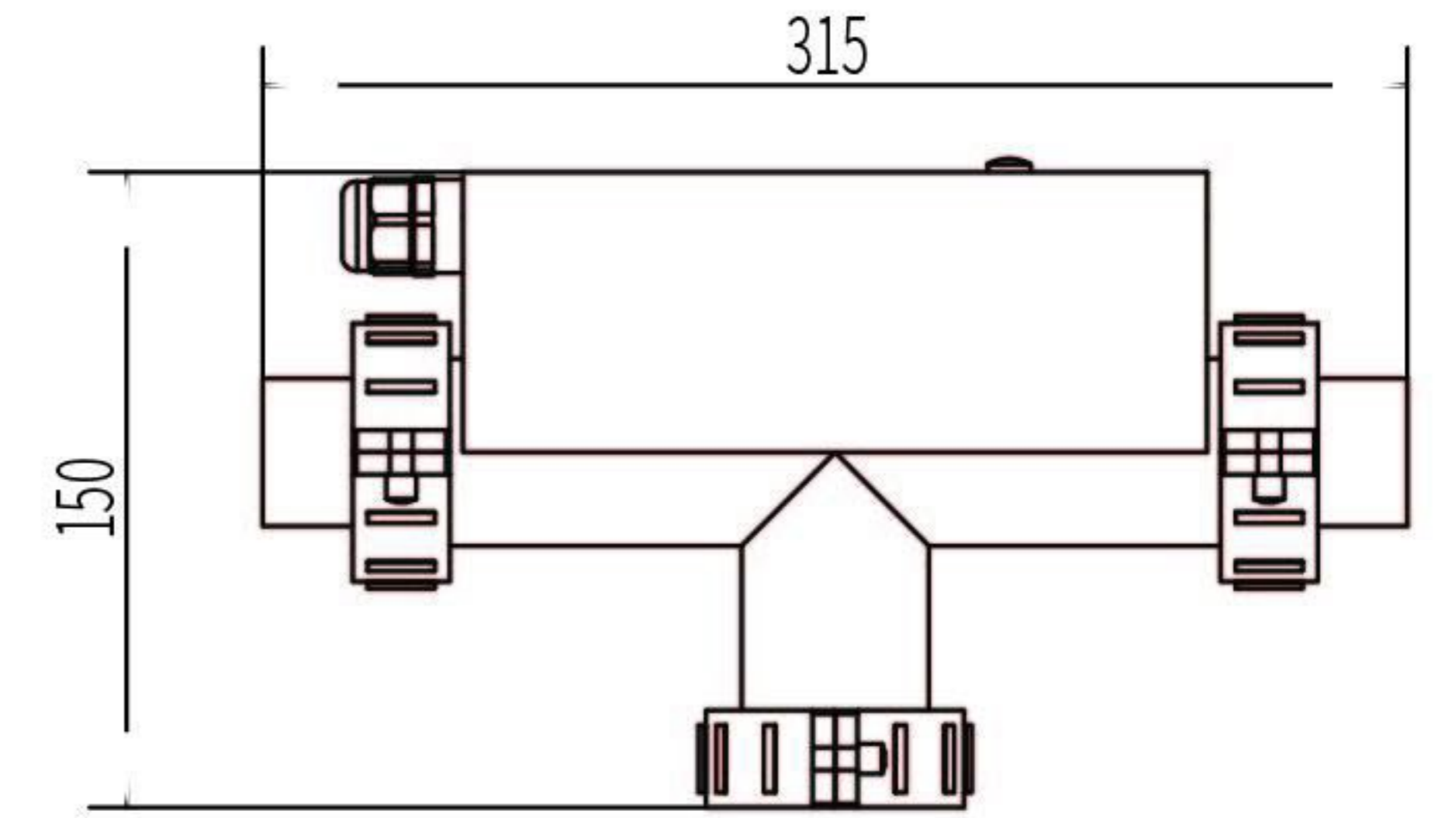
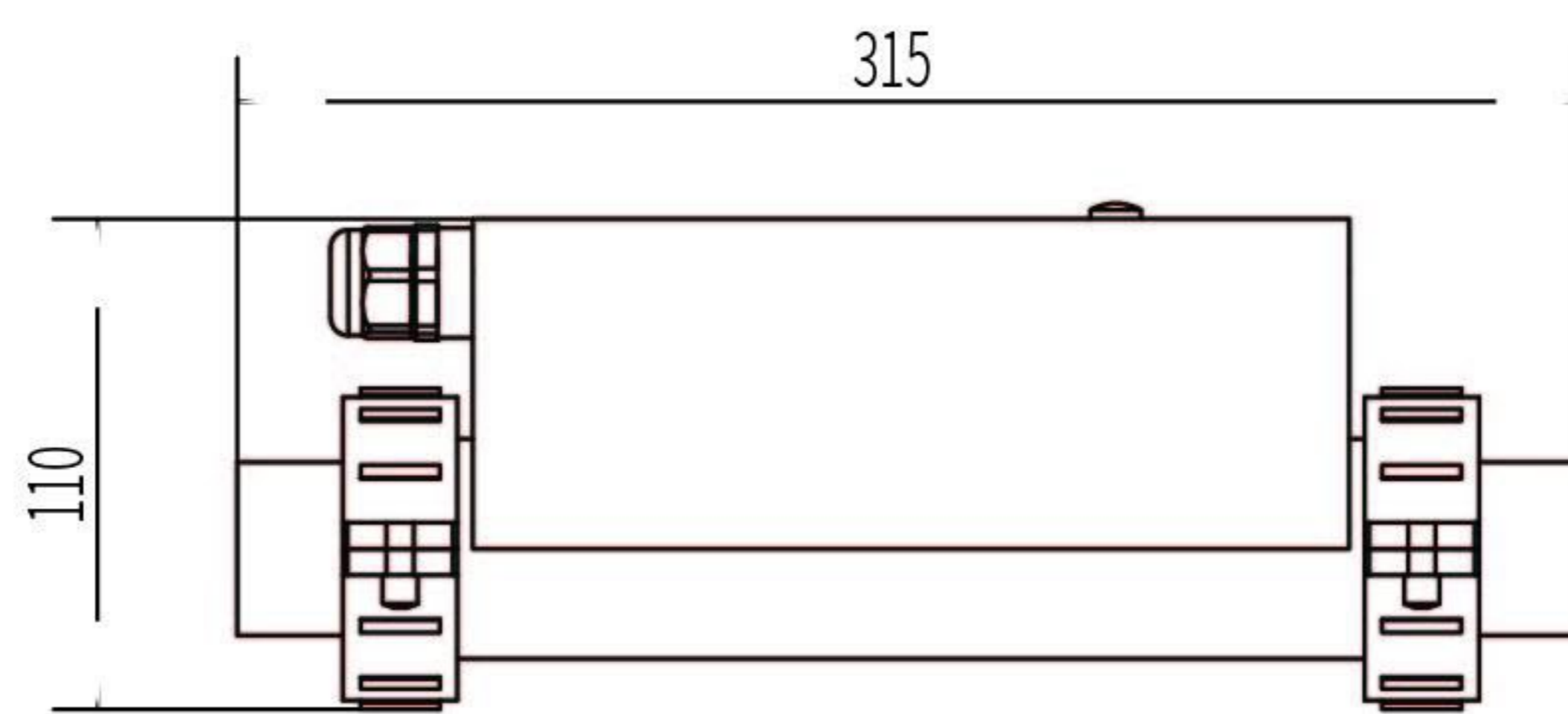
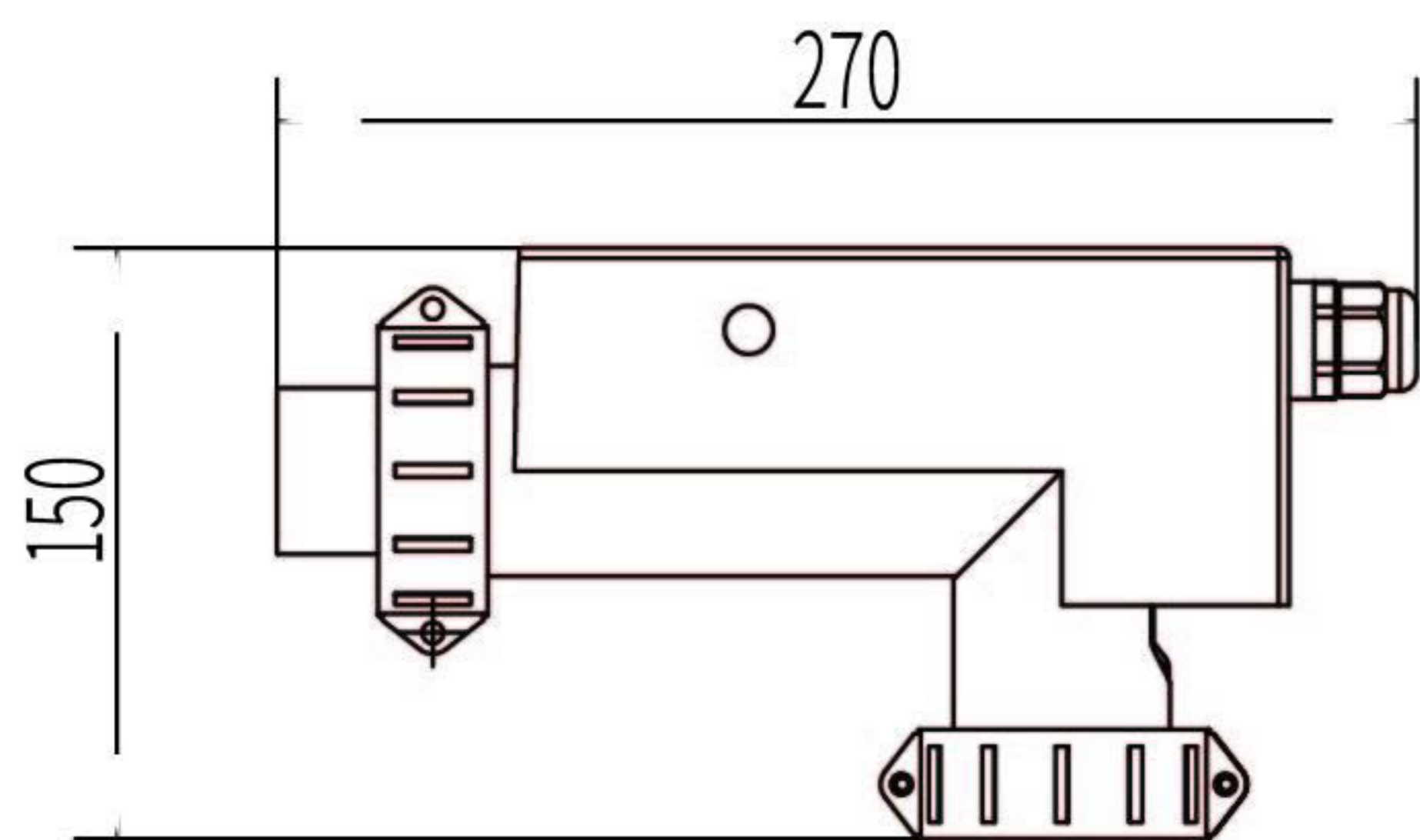
# SDP-1500L



# SDP-1500C



# SDP-1500A



型号 Model	电压 Voltage	功率 Power		毛重 Gross Weight (kg)	包装尺寸 Packing	认证 Certification
		Kw	HP			
SDP-1500L	230V/50Hz/60Hz	1.5	2	1.25	365mm*315mm*135mm	
SDP-1500L	115V/50Hz/60Hz	1.5	2	1.25	365mm*315mm*135mm	
SDP-1500A	230V/50Hz/60Hz	1.5	2	1.5	365mm*315mm*135mm	CE
SDP-1500	115V/50Hz/60Hz	1.5	2	1.5	365mm*315mm*135mm	UL US
SDP-1500C	230V/50Hz/60Hz	1.5	2	1.25	365mm*315mm*135mm	
SDP-1500C	115V/50Hz/60Hz	1.5	2	1.25	365mm*315mm*135mm	
SDP-3000L	230V/50Hz/60Hz	3	4	1.25	365mm*315mm*135mm	
SDP-3000T	230V/50Hz/60Hz	3	4	1.5	365mm*315mm*135mm	
SDP-3000C	230V/50Hz/60Hz	3	4	1.25	365mm*315mm*135mm	
SDP-3000	230V/50Hz/60Hz	3	4	2.5	420mm*350mm*190mm	CE